
**Evaluation Sample
Specification Sheet**

**Dye-Sensitized Solar Cell
Power Module**

Fujikura Ltd.

Dye-Sensitized Solar Cell (DSSC) Power Module

Specifications

This sample is power module combining a high efficiency DC/DC converter and a capacitor with a DSSC module. Consequently, the DSSC power module generates a constant voltage of 3 V under any light conditions and even no light.

(Note1) These specifications are only for the evaluation sample and may be revised before mass-production.

1. Dimensions and name of each part Unit: mm

The dimensions and shapes differ depending on the type of a standard DSSC module panel.

Model No.	Installed standard DSSC module panel "Model No. / Dimension"
FDSC-DSA4FGC	FDSC-FSC4FGC / 112.0±0.3(L)×56.0±0.3(W)×2.5±0.2(H) (Excluding protrusions)
FDSC-DSA10FGC	FDSC-FSC10FGC / 35.0±0.3(L)×39.9±0.3(W)×2.5±0.2(H) (Excluding protrusions)
FDSC-DSA12FGC	FDSC-FSC12FGC / 62.3±0.3(L)×23.9±0.3(W)×2.5±0.2(H) (Excluding protrusions)
FDSC-DSA7FGC	FDSC-FSC7FGC / 92.0±0.3(L)×70.0±0.3(W)×2.5±0.2(H) (Excluding protrusions)
FDSC-DSA5FGC	FDSC-FSC5FGC / 85.0±0.3(L)×44.0±0.3(W)×2.5±0.2(H) (Excluding protrusions)

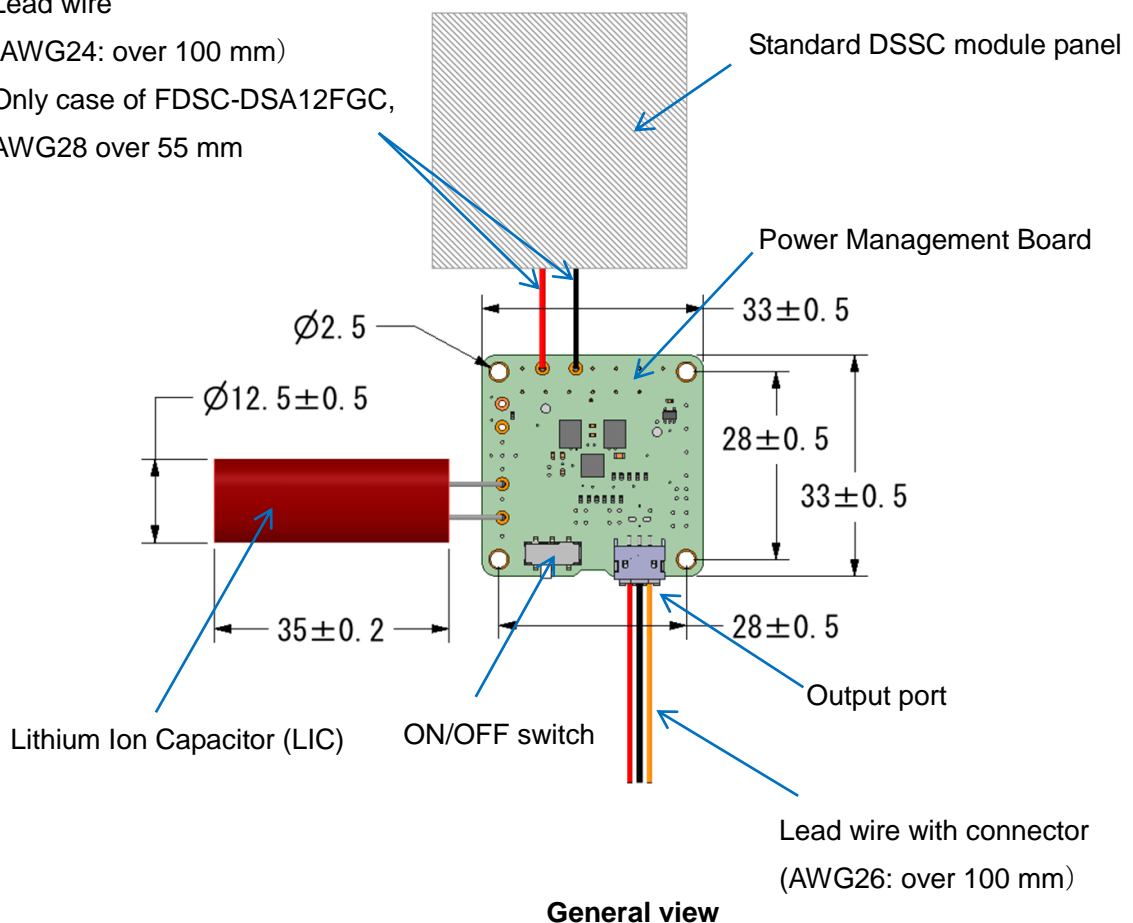
Power Management Board: 33.0±0.5 (L) × 33.0±0.5 (W) × 5.4±0.2 (H) (Excluding protrusions)

LIC: 35.0±0.2 (L) × 12.5±0.5 (DIA) (Excluding protrusions)

Lead wire

(AWG24: over 100 mm)

Only case of FDSC-DSA12FGC,
AWG28 over 55 mm



2. Electric specifications

Item	Unit	Specification	Note
Output voltage	V	3.0±0.2	
Output current	mA	100	(typ)
Current limit	mA	185	Output time: 10 μs (typ)
Charging Capacity	mWh	27	100 J (typ)

3. Operating conditions

Item	Unit	Minimum	Maximum	Note
Surface temperature	°C	-10	50	(Note 2)
Ambient humidity	%RH	1	90	No dew condensation
Illuminance	lx	10	100,000	
Atmospheric pressure	hPa	550	1,100	

4. Storage Conditions

Item	Unit	Minimum	Maximum	Note
Surface temperature	°C	-10	50	(Note 2)
Ambient humidity	%RH	1	90	No dew condensation
Illuminance	lx	-	100,000	
Atmospheric pressure	hPa	550	1,100	

(Note 2) Radiation heat may raise the surface temperature of the sample up to more than 50 degree C outdoors. Please storage the sample within the above temperature ranges.

5. Caution

- Please be sure to read the instruction manual "FDSC-EZFDDALL04" carefully and use the sample correctly and safely.