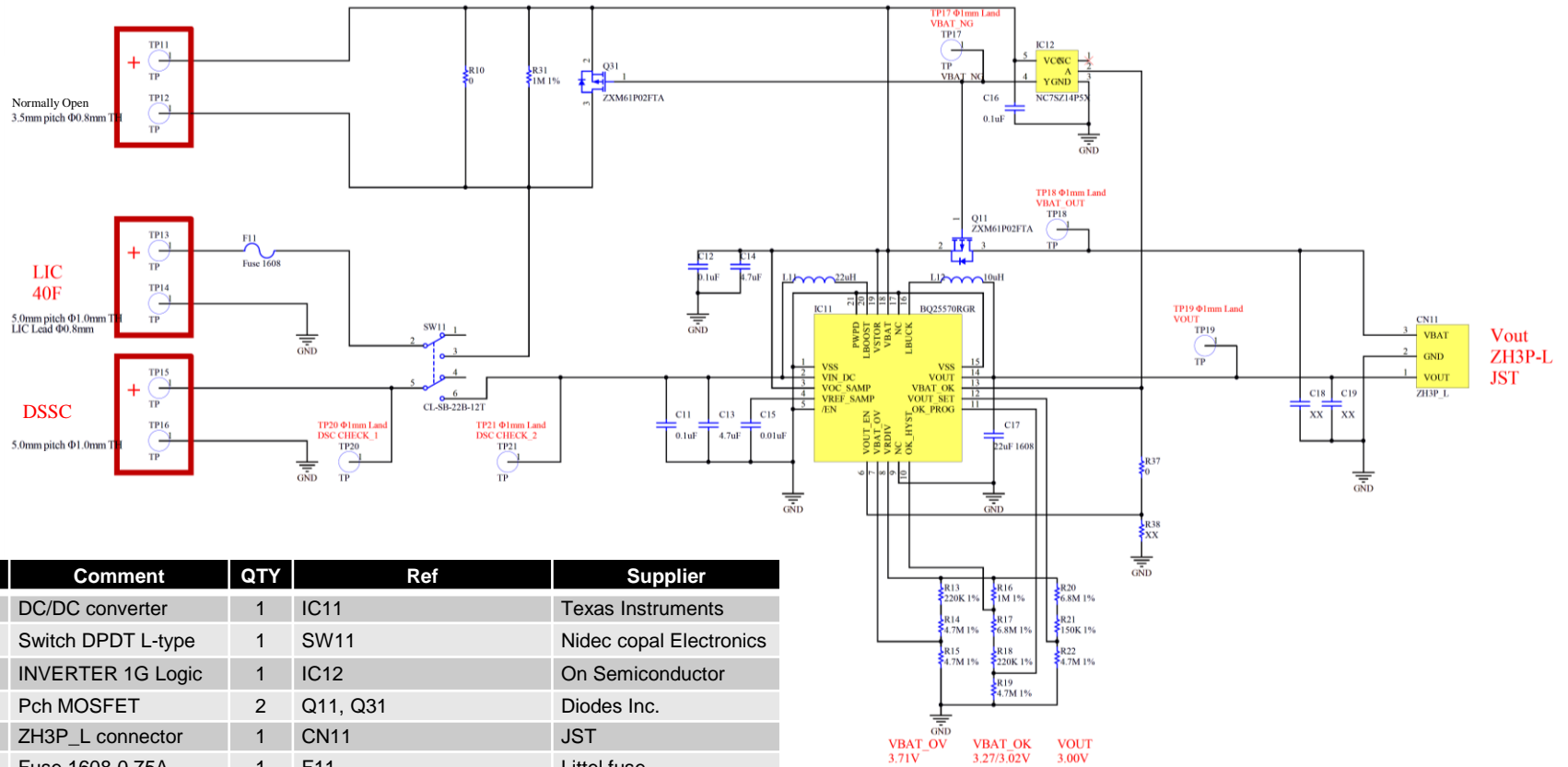


Circuit Diagram



Parts List

Parts name	Comment	QTY	Ref	Supplier
BQ25570RGR	DC/DC converter	1	IC11	Texas Instruments
CL-SB-22B-12T	Switch DPDT L-type	1	SW11	Nidec copal Electronics
NC7SZ14P5X	INVERTER 1G Logic	1	IC12	On Semiconductor
ZXM61P02FTA	Pch MOSFET	2	Q11, Q31	Diodes Inc.
S3B-ZR-SM4A-TF	ZH3P_L connector	1	CN11	JST
0603L075SL	Fuse 1608 0.75A	1	F11	Littell fuse
NRS4018T220MDGJV	22μH	1	L11	Taiyo Yuden
NRS4018T100MDGJ	10μH	1	L12	Taiyo Yuden
GRM155R71C104KA88D	0.1μF 16V X7R 1005	3	C11, C12, C16	Murata Electronics
GRM155R60J475ME47D	4.7μF 6.3V X5R 1005	2	C13, C14	Murata Electronics
GRM155R71E103KA01D	0.01μF 25V X7R 1005	1	C15	Murata Electronics
GRM188R60J226MEA0D	22uF 6.3V B 1608	1	C17	Murata Electronics
MCR01MZPJ000	0 1005	2	R10, R37	ROHM Semiconductor
RK73H1ETTP2203F	220K 1% 1005	2	R13, R18	KOA Speer
RK73H1ETTP4704F	4.7M 1% 1005	4	R14, R15, R19, R22	KOA Speer
RK73H1ETTP1004F	1M 1% 1005	2	R16, R31	KOA Speer
RK73H1ETTP6804F	6.8M 1% 1005	2	R17, R20	KOA Speer
MCR01MZPF1503	150K 1% 1005	1	R21	ROHM Semiconductor
LIC1235RS3R8406	LIC 40F	1	LIC 40F / TP15(+), TP16(-)	Taiyo Yuden
-	XX(no mount)	3	C18, C19, R38	-
-	TP	11	TP11~TP21	-

DSSC Power Module Evaluation Kit

Circuit diagram and Parts list

FDSC-DSA1BNK

Sep. 2020